



GLO-BALL F1

Mounting	: Floor
Lamps description	: 1 x MAX 150W E27 HSGS/F
Environment	: Indoor
Finish	: White, Metallized grey
Technical description	: Floor lamp providing diffused light. Diffuser consisting of an externally acid-etched, hand blown, flashed opaline glass and a die-cast aluminum threaded ring nut with alodine plating finish. Gray or white painted high-thickness steel base and stem and die-cast aluminum diffuser support.

ELECTRICAL

Emergency	: Without
Switching	: ON/OFF switch and 0/100% dimmer installed on the cord
Voltage (V)	: 220/240

PHYSICAL

Shape	: Base round
Supply	: Power cord
Cord length(mm)	: 2300
Construction material	: Aluminum or Glass
Weight (kg)	: 12



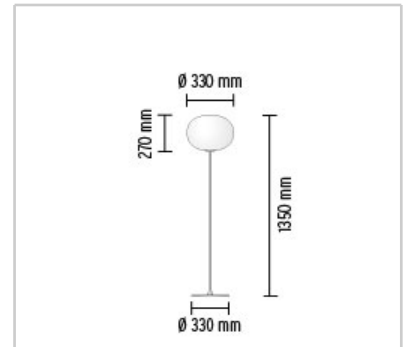
Glo-Ball F1
design by Jasper Morrison

Floor lamp providing diffused light

Reference Code

● **F3031020** **Matt silver**

Certifications



LIVINGSPLACE

DEFINING THE MODERN HOME

shoplivingspace.com



GLO-BALL F2

Mounting	: Floor
Lamps description	: 1 x MAX 150W E27 HSGS/F
Environment	: Indoor
Finish	: White, Metallized grey
Technical description	: Floor lamp providing diffused light. Diffuser consisting of an externally acid-etched, hand blown, flashed opaline glass and of a die-cast aluminum threaded ring nut with alodine plating finish. Gray or white painted high-thickness steel base and stem and die-cast aluminum diffuser support.

ELECTRICAL

Emergency	: Without
Switching	: ON/OFF switch and 0/100% dimmer installed on the cord
Voltage (V)	: 220/240

PHYSICAL

Supply	: Power cord
Cord length(mm)	: 1800
Construction material	: Aluminum or Glass
Weight (kg)	: 12,5



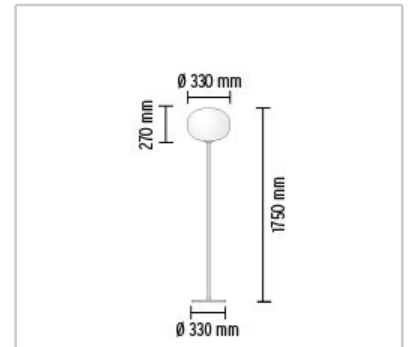
Glo-Ball F2
design by Jasper Morrison

Floor lamp providing diffused light

Reference Code

● **F3032020** **Matt silver**

Certifications



LIVINGSPLACE

DEFINING THE MODERN HOME

shoplivingspace.com

GLO-BALL F3

Mounting	: Floor
Lamps description	: 1 x MAX 230W E27 HSGS/F
Environment	: Indoor
Finish	: White, Metallized grey
Technical description	: Floor lamp providing diffused light. Diffuser consisting of an externally acid-etched, hand blown, flashed opaline glass and of a die-cast aluminum threaded ring nut with alodine plating finish. Gray or white painted high-thickness steel base and stem and die-cast aluminum diffuser support.

ELECTRICAL

Emergency	: Without
Switching	: ON/OFF switch and 0/100% dimmer installed on the cord
Voltage (V)	: 230

PHYSICAL

Shape	: Base round
Supply	: Power cord
Cord length(mm)	: 1800
Construction material	: Aluminum or Glass
Weight (kg)	: 18,9



Glo-Ball F3
design by Jasper Morrison

Floor lamp providing diffused light

Reference Code

● **F3030000** **Matt silver**

Certifications

