

**GLO-BALL T1**

Mounting	: Table
Lamps description	: 1 x MAX 150W E27 HSGS/F
Environment	: Indoor
Finish	: White, Matt silver
Technical description	: Table/desk lamp providing diffused light. Diffuser consisting of an externally acid-etched, hand blown, flashed opaline glass and a die-cast threaded ring nut with alodine plating finish. Gray painted high-thickness steel base and stem and die-cast aluminum diffuser support.

**ELECTRICAL**

Emergency	: Without
Switching	: ON-OFF switch and 0/100% dimmer on the cord
Voltage (V)	: 220/240

**PHYSICAL**

Shape	: Base round
Supply	: Power cord
Cord length(mm)	: 1900
Construction material	: Aluminum or Blown glass or Steel
Weight (kg)	: 7



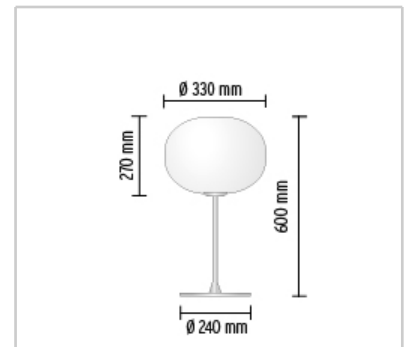
**Glo-Ball T1**  
design by Jasper Morrison

Table/desk lamp providing diffused light

**Reference Code**

● **F3020000**      **Matt silver**

**Certifications**





### GLO-BALL T2

Mounting	: Table
Lamps description	: 1 x MAX 230W E27 HSGS/F
Environment	: Indoor
Finish	: White, Matt silver
Technical description	: Table/desk lamp providing diffused light. Diffuser consisting of an externally acid-etched, hand blown, flashed opaline glass and a die-cast threaded ring nut with alodine plating finish. Gray painted high-thickness steel base and stem and die-cast aluminum diffuser support.

### ELECTRICAL

Emergency	: Without
Switching	: ON-OFF switch and 0/100% dimmer installed on the cord
Voltage (V)	: 230

### PHYSICAL

Shape	: Base round
Supply	: Power cord
Cord length(mm)	: 1900
Construction material	: Aluminum or Blown glass or Steel
Weight (kg)	: 12,2



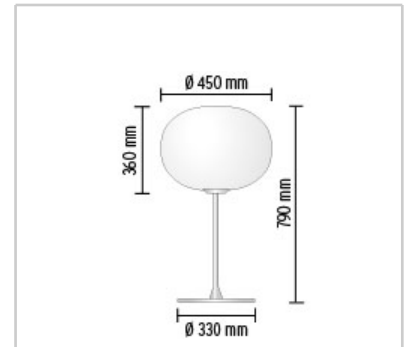
**Glo-Ball T2**  
design by Jasper Morrison

Table/desk lamp providing diffused light

### Reference Code

● **F3025000**      **Matt silver**

### Certifications



**LIVINGSPLACE**

DEFINING THE MODERN HOME

[shoplivingspace.com](http://shoplivingspace.com)