

### ROMEO SOFT S1

Mounting	: Suspension
Type of ceiling pendant	: Suspension cable
Lamps description	: 1 x MAX 150W E27 HSGS/F or 1 x MAX 150W E14 IAA/W
Environment	: Indoor
Finish	: Fabric
Technical description	: Suspension lamp providing diffused light. Acid-etched pressed borosilicate glass internal diffuser. Plissé cloth shade. Injection-molded transparent polycarbonate diffuser support. Transparent, stamped polycarbonate dust protection screen. White, injection-molded ABS rose, galvanized pressed steel ceiling fitting. Free steel suspension cable.

### ELECTRICAL

Emergency	: Without
Voltage (V)	: 230

### PHYSICAL

Shape	: Round
Supply	: Terminal block
Cord length(mm)	: 4000
Construction material	: Fabric or Glass or Polycarbonate
Weight (kg)	: 1,6



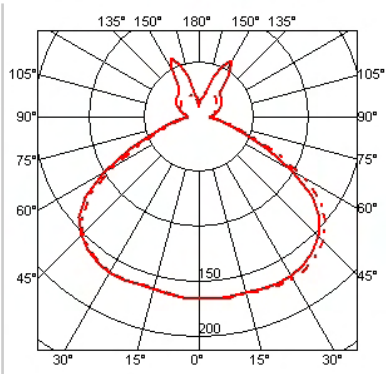
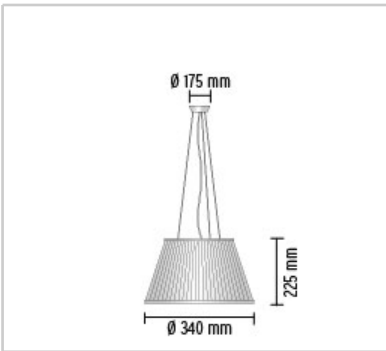
**Romeo Soft S1**  
design by Philippe Starck

Suspension lamp providing diffused light

### Reference Code

**F6105007**      **Amber Soft**

### Certifications



### ROMEO SOFT S2

Mounting	: Suspension
Type of ceiling pendant	: Suspension cable
Lamps description	: 1 x MAX 150W E27 HSGS/F or 1 x MAX 150W E14 IAA/W
Environment	: Indoor
Finish	: Fabric
Technical description	: Suspension lamp providing diffused light. Acid-etched pressed borosilicate glass internal diffuser. Plissé cloth shade. Injection-molded transparent polycarbonate diffuser support. Transparent, stamped polycarbonate dust protection screen. White, injection-molded ABS rose, galvanized pressed steel ceiling fitting. Free steel suspension cable.

### ELECTRICAL

Emergency	: Without
Voltage (V)	: 230

### PHYSICAL

Shape	: Round
Supply	: Terminal block
Cord length(mm)	: 4000
Construction material	: Fabric or Glass or Polycarbonate
Weight (kg)	: 3,4



**Romeo Soft S2**  
design by Philippe Starck

Suspension lamp providing diffused light

### Reference Code

**F6110007**      **Amber Soft**

### Certifications

