

ROMEO MOON S1

| | |
|-------------------------|---|
| Mounting | : Suspension |
| Type of ceiling pendant | : Suspension cable |
| Lamps description | : 1 x MAX 150W E27 HSGS/F or 1 x MAX 150W E27 IAA/W |
| Environment | : Indoor |
| Finish | : Clear glass |
| Technical description | : Suspension lamp providing diffused light. Acid-etched pressed borosilicate glass internal diffuser. Pressed clear glass shade. Injection-molded transparent polycarbonate diffuser support. Transparent, stamped polycarbonate dust protection screen. White, injection-molded ABS rose, galvanized pressed steel ceiling fitting. Free steel suspension cable. |

ELECTRICAL

| | |
|-------------|-----------|
| Emergency | : Without |
| Voltage (V) | : 220/240 |

PHYSICAL

| | |
|-----------------------|--------------------------|
| Shape | : Round |
| Supply | : Terminal block |
| Cord length(mm) | : 4000 |
| Construction material | : Glass or Polycarbonate |
| Weight (kg) | : 4,5 |



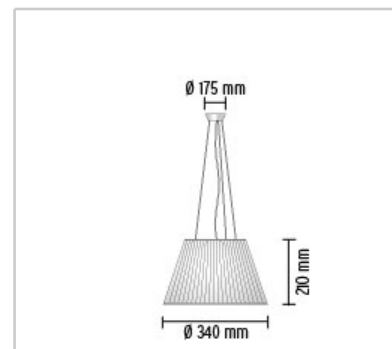
Romeo Moon S1
design by Philippe Starck

Suspension lamp providing diffused light

Reference Code

F6105000 Glass

Certifications



ROMEO MOON S2

| | |
|-------------------------|---|
| Mounting | : Suspension |
| Type of ceiling pendant | : Suspension cable |
| Lamps description | : 1 x MAX 150W E27 HSGS/F or 1 x MAX 150W E27 IAA/W |
| Environment | : Indoor |
| Finish | : Clear glass |
| Technical description | : Suspension lamp providing diffused light. Acid-etched pressed borosilicate glass internal diffuser. Pressed clear glass shade. Injection-molded transparent polycarbonate diffuser support. Transparent, stamped polycarbonate dust protection screen. White, injection-molded ABS rose, galvanized pressed steel ceiling fitting. Free steel suspension cable. |

ELECTRICAL

| | |
|-------------|-----------|
| Emergency | : Without |
| Voltage (V) | : 220/240 |

PHYSICAL

| | |
|-----------------------|--------------------------|
| Shape | : Round |
| Supply | : Terminal block |
| Cord length(mm) | : 4000 |
| Construction material | : Glass or Polycarbonate |
| Weight (kg) | : 7,6 |



Romeo Moon S2
design by Philippe Starck

Suspension lamp providing diffused light

Reference Code

F6110000 Glass

Certifications

