

**TARAXACUM 1**

|                         |  |
|-------------------------|--|
| Mounting                | : Suspension   |
| Type of ceiling pendant | : Suspension cable   |
| Lamps description       | : 1 x MAX 100W E27 HSGS/F  |
| Environment             | : Indoor   |
| Finish                  | : Cocoon   |
| Technical description   | : Suspension lamp providing diffused light. White powder coated internal steel structure sprayed with a unique cocoon resin to create the diffuser which is then protected by a transparent sprayed on finish. |

**ELECTRICAL**

|             |           |
|-------------|-----------|
| Emergency   | : Without |
| Voltage (V) | : 230     |

**PHYSICAL**

|                       |                         |
|-----------------------|-------------------------|
| Cord length(mm)       | : 4000                  |
| Construction material | : Cocoon resin or Steel |
| Weight (kg)           | : 2,1                   |



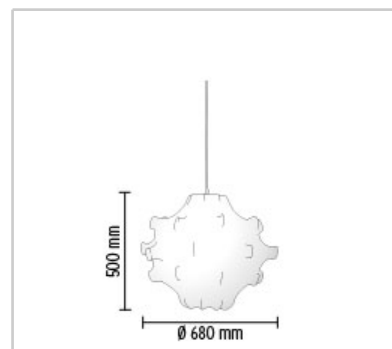
**Taraxacum 1**  
design by Achille Castiglioni and Pier Giacomo Castiglioni

Suspension lamp providing diffused lighting

**Reference Code**

○ **F7401009**      **Cocoon**

**Certifications**



## TARAXACUM 2

|                         |  |
|-------------------------|--|
| Mounting                | : Suspension   |
| Type of ceiling pendant | : Suspension cable   |
| Lamps description       | : 1 x MAX 100W E27 HSGS/F  |
| Environment             | : Indoor   |
| Finish                  | : Cocoon   |
| Technical description   | : Suspension lamp providing diffused light. White powder coated internal steel structure sprayed with a unique cocoon resin to create the diffuser which is then protected by a transparent sprayed on finish. |

## ELECTRICAL

|             |           |
|-------------|-----------|
| Emergency   | : Without |
| Voltage (V) | : 230     |

## PHYSICAL

|                       |                         |
|-----------------------|-------------------------|
| Cord length(mm)       | : 4000                  |
| Construction material | : Cocoon resin or Steel |
| Weight (kg)           | : 2,8                   |



**Taraxacum 2**  
design by Achille Castiglioni and Pier Giacomo Castiglioni

Suspension lamp providing diffused lighting

## Reference Code

○ **F7402009**      **Cocoon**

## Certifications

